

REV	ECON NO.	APP.	DATE
A	NEW DESIGN		

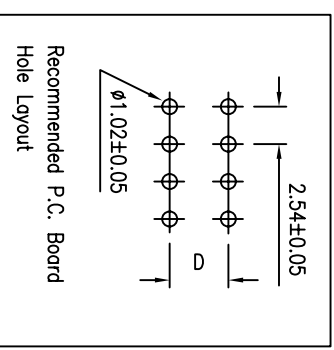
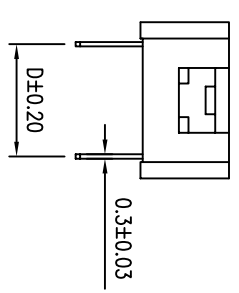
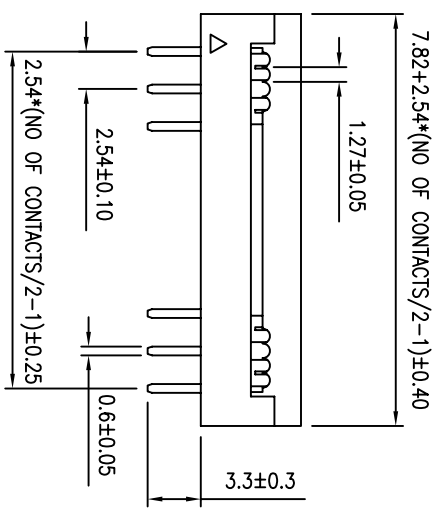
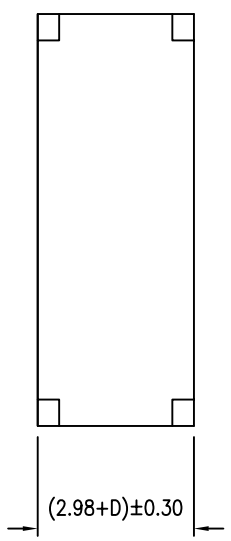
ORDER INFORMATION

SPECIFICATION

- * Current Rating: 3 A
- * Withstanding Voltage: 500 VAC (1 min.)
- * Insulation Resistance: 1000 Megohms min.
- * Contact Resistance: 20 Milliohms max.
- * Operating Temperature: -40°C to +85°C

MATERIAL

- * Contact: Phosphor Bronze
- * Insulator: PBT & 30% G. F.
- * Plated: Selective Gold or All Gold



SHINHWHA TECH CO.,LTD			
0.0±	SCALE:	TITLE:	PART NO:
0.00±	UNIT: MM	2.54mm (.100") Center	
0.000±		I.D.C DIP CONNECTOR	APP BY:
		MATL: PBT + 30% GF	CHK BY:
		DWG. NO. FP02	DR BY:

